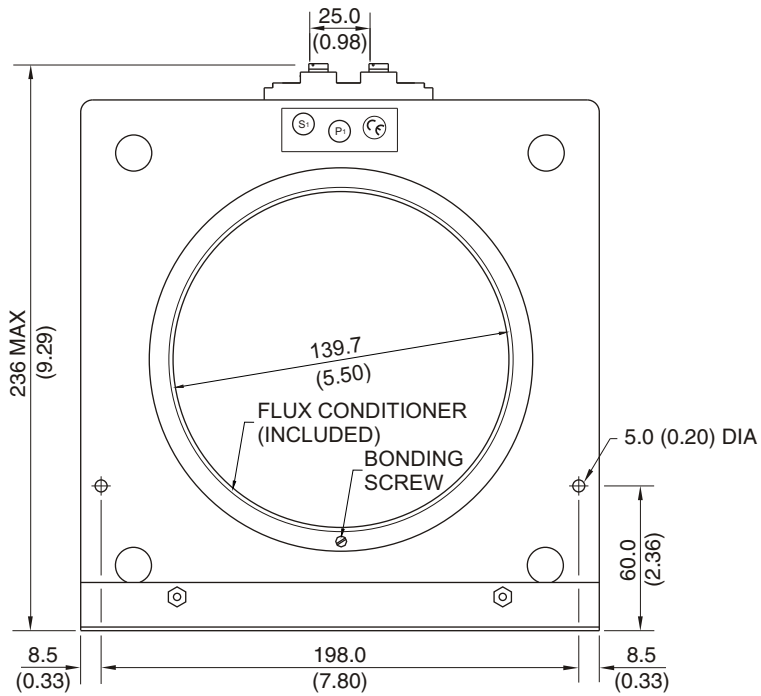
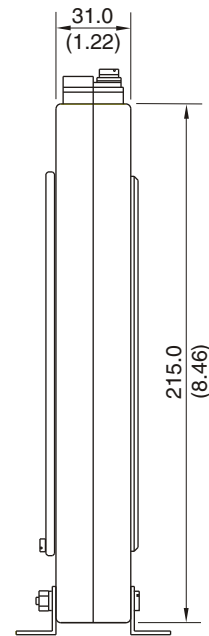


TOP

MOUNTING DETAIL



FRONT



SIDE

NOTES:

1. DIMENSIONS IN MILLIMETRES (INCHES).
2. MOUNTING SCREWS: M5 OR 10-32.