

# 08098400 BATTERY DISCONNECT SWITCHES

250A • SPST • IP65 • M10 Studs • Push to Off



## Description

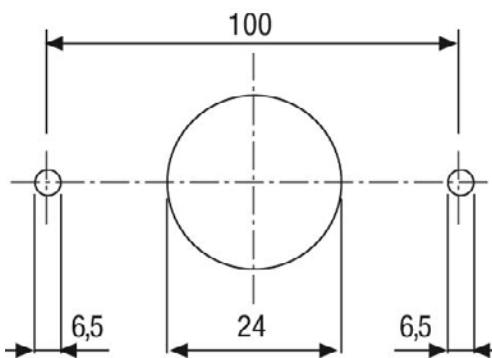
Manual Battery Disconnect Switch features a turn to on and a push to off operation. Easy to operate and shut off vehicle power in emergency situations.

Switch features and identical mounting pattern to metal body removable key switches so the same application has multiple options with minimal design changes.

## Features/Benefits

- 250A continuous current rating
- Push to off emergency shutdown feature
- Highly visible bright red handle
- Waterproof and dustproof to IP65

## Mounting Diagram



## Specifications

<b>Max Operating Voltage:</b>	24V DC
<b>Max Continuous Current:</b>	250A
<b>Intermittent Current:</b>	2500A at 3 sec
<b>Operating Temp:</b>	-40°C to +80°C
<b>Ingress Protection:</b>	IP65
<b>Contacts:</b>	Silver-Plated Copper
<b>Terminals:</b>	M10 (brass)

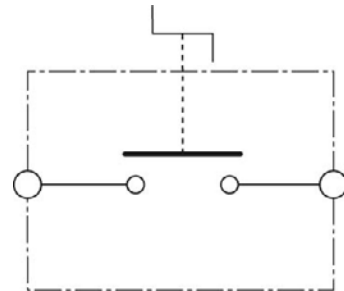
## Applications

- Heavy Truck
- Off-Road
- Emergency Vehicles
- Material Handling
- Mining
- Agricultural
- Marine
- Construction

## Web Resources

Download 2D prints and additional technical resources at:  
[littelfuse.com/ManualBatterySwitches](http://littelfuse.com/ManualBatterySwitches)

## Electrical Diagram



## Ordering Information

PART NUMBERS		VOLTAGE	AMPERAGE	CIRCUITRY	MOUNTING	INGRESS	NOTES
BULK	BOXED						
08098400	08098400-BX	24V DC	250A	SPST	Flange Mount	IP65	Push to Off

# 08098400 BATTERY DISCONNECT SWITCHES

## Dimensions in millimeters

