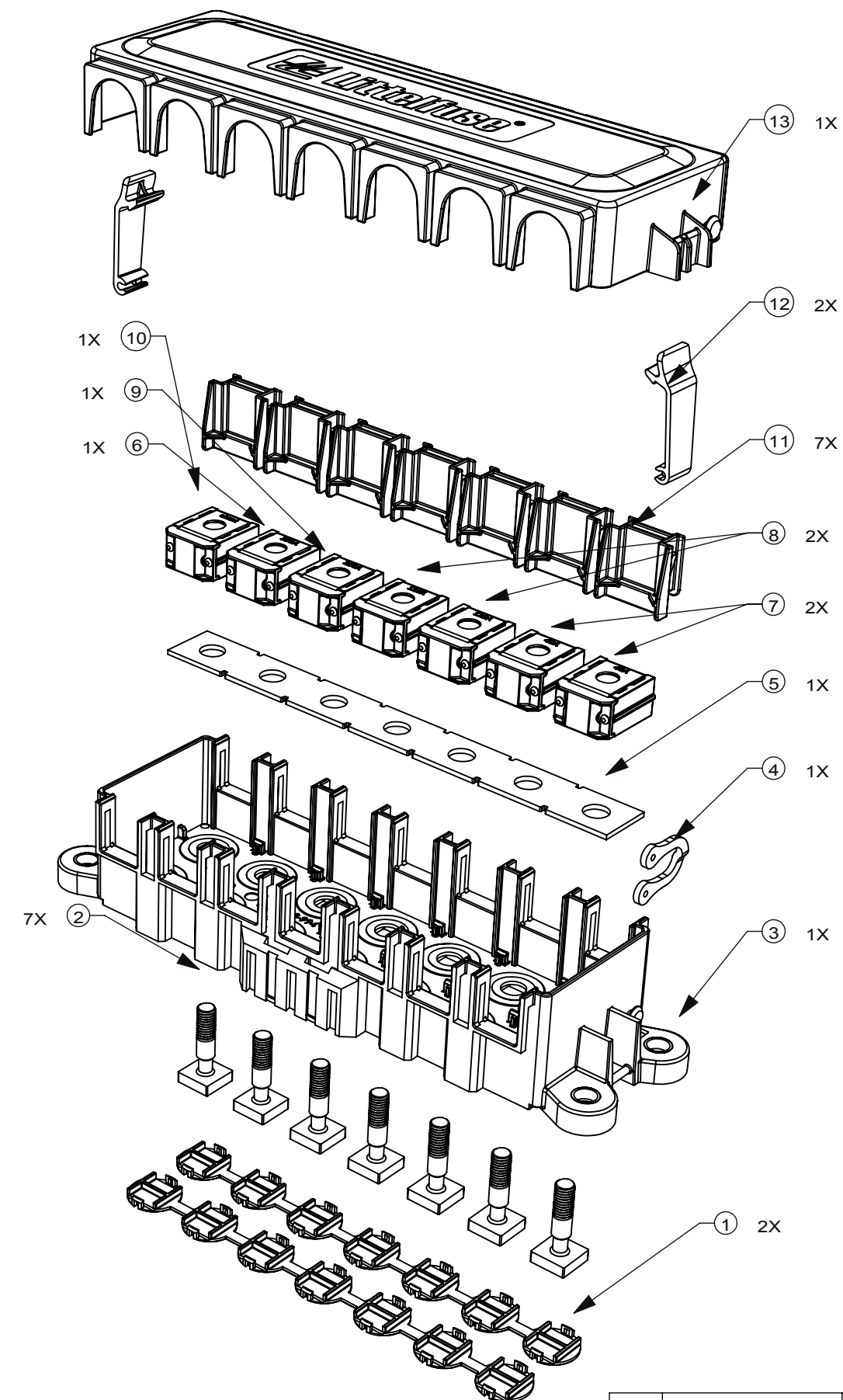
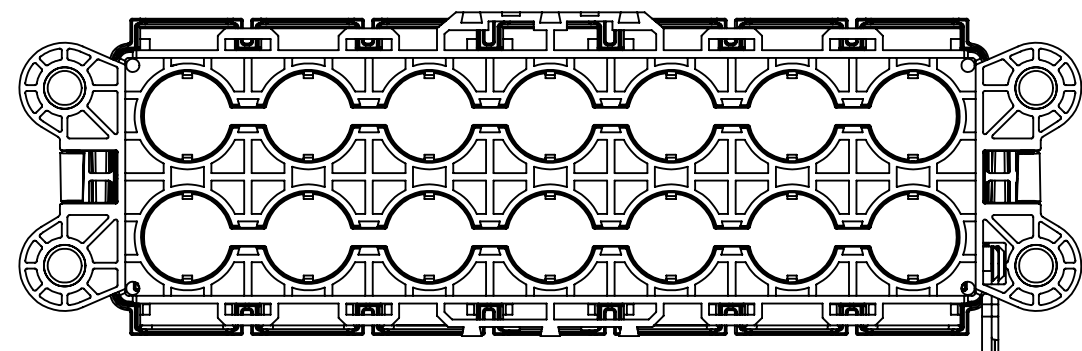
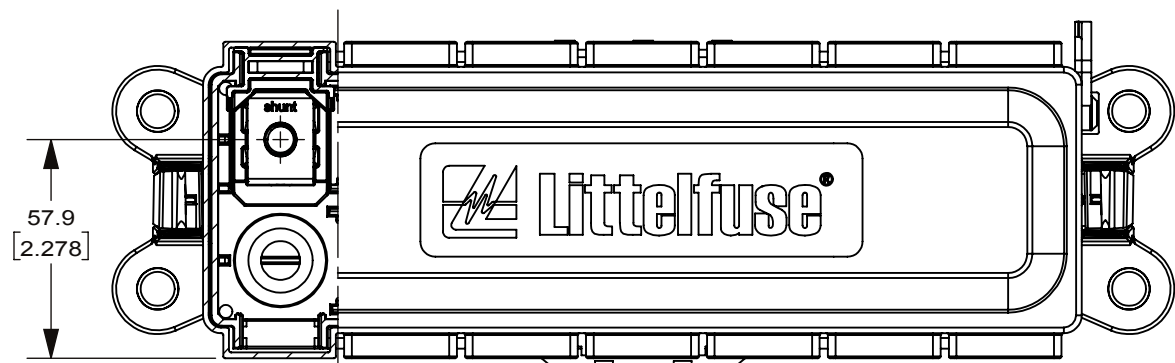
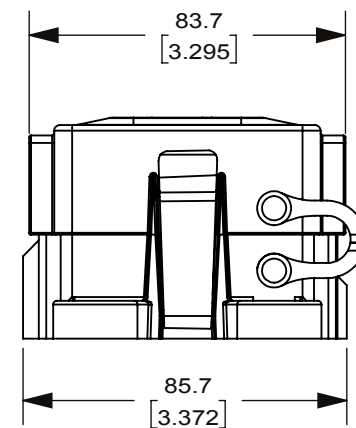
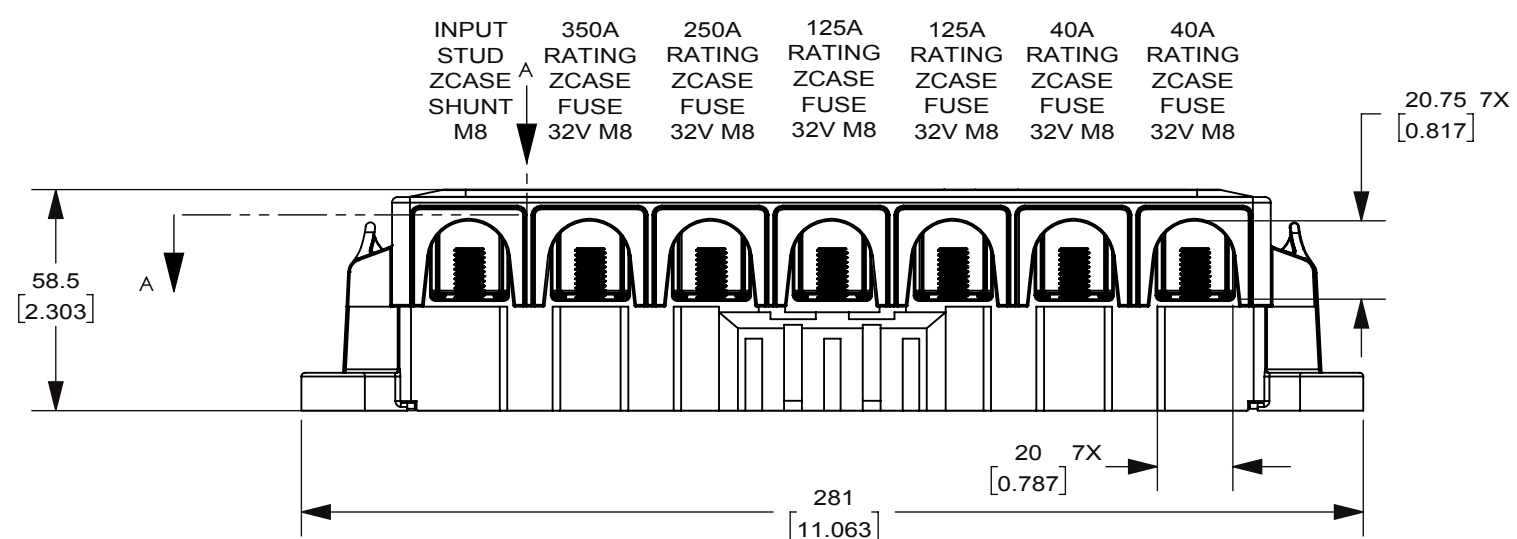
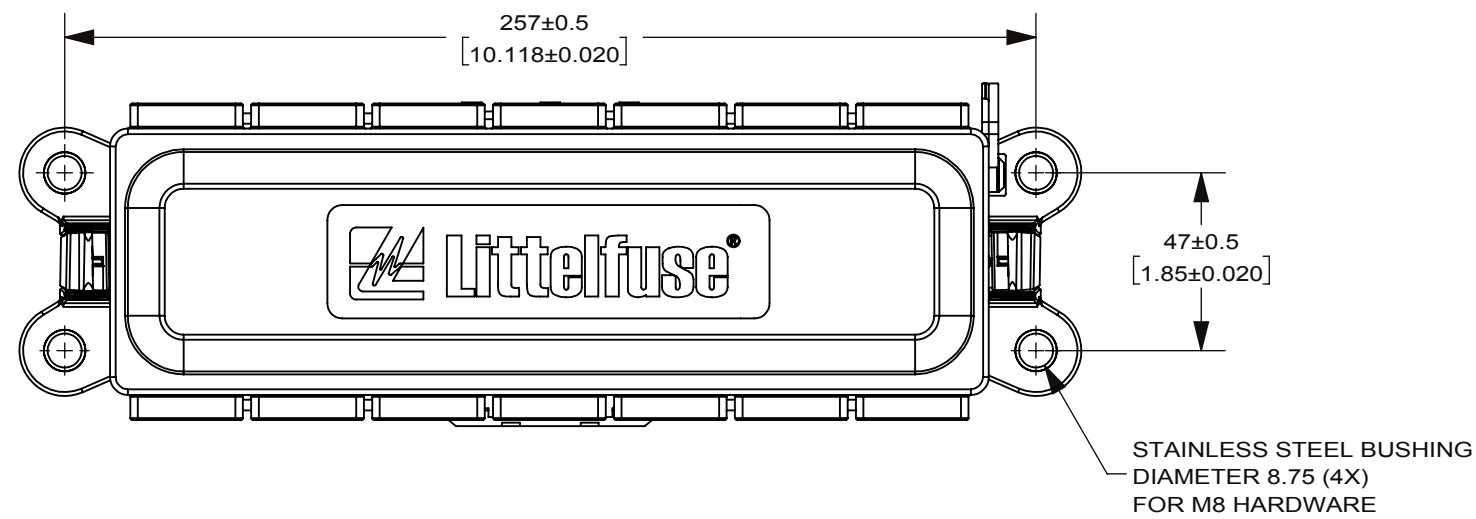


THIS DRAWING AND THE INFORMATION CONTAINED WITHIN IT ARE CONFIDENTIAL AND MAY NOT BE COPIED OR DISCLOSED WITHOUT THE WRITTEN PERMISSION OF LITTELFUSE.

LF P/N	FUSE	REMARK
OFHZ0009Z	3298900.Z	6-WAY ZCASE FUSE BOX INPUT SHUNT, 350A, 250A, 125A, 125A, 40A, 40A
	3298350.Z	
	3298250.Z	
	3298125.Z	
	3298125.Z	
	3298040.Z	
	3298040.Z	

REVISIONS				
ZONE	REV.	DESCRIPTION	DATE	APPROVED
	A	520253GCC-NEW RELEASE DRAWING	22/May/19	



NO.	COMPONENT NO.	COMPONENT NAME	QTY/M	U/M
13	873-723	COVER	1	EA
12	883-088	LATCH	2	EA
11	901-520	DUST COVER	7	EA
10	3298900.Z	ZASE SHUNT	1	EA
9	3298250.Z	ZCASE FUSE 250A	1	EA
8	3298125.Z	ZCASE FUSE 125A	2	EA
7	3298040.Z	ZCASE FUSE 40A	2	EA
6	3298350.Z	ZCASE FUSE 350A	1	EA
5	882-869-7	BUS BAR	1	EA
4	890009470	TETHER	1	EA
3	868-994	BASE	1	EA
2	908-067	M8 STUD	7	EA
1	883-097	BOTTOM CAP	2	EA

NOTES:

- MATERIALS:
 BASE/COVER: BLACK PET WITH GF (UL 94-V0)
 BUS BAR: COPPER Sn PLATED
 DUST COVER/TETHER: RUBBER
 STUD: STEEL Ni/Sn PLATED
 BOTTOM CAP: PA66
 LATCH: POM
- FUSES ASSEMBLY TORQUE: 12-15 Nm
 ALL FUSES MUST NOT EXCEED 70% OF RATED CURRENT
- MAX. MAIN INPUT: 400A
- OPERATING TEMPERATURE RANGE: -40°C TO 85°C
- M8 MOUNTING TORQUE: 12-15 Nm
- MAX. WIRE SIZE 105 sqmm OR AWG 4/0

DIMENSIONS ARE SHOWN IN MILLIMETERS. DIMENSIONS AND TOLERANCES ARE DEFINED ACCORDING TO ANSI/ASME Y14.5-1994.

● DENOTES PRODUCTS CRITICAL CHARACTERISTICS

CPK DENOTES CPK DIMENSIONS MINIMUM CPK VALUE

ST DENOTES A CHARACTERISTIC THAT PROVIDES AN INDICATION OF PROCESS PERFORMANCE PROCEDURE FOR MEASUREMENT AND TRACKING TO BE DEFINED IN LITTELFUSE INSPECTION INSTRUCTIONS

CP DENOTES CP DIMENSIONS. MINIMUM CP VALUE MUST BE WITHIN THE DIMENSIONAL LIMITATIONS SHOWN ON DRAWING AND INITIALLY LOCATED TO ALLOW FOR MAXIMUM TOOL LIFE

TOLERANCES UNLESS OTHERWISE SPECIFIED
 ONE PLACE DECIMAL ± 0.5 THREE PLACES DECIMAL ± 0.100
 TWO PLACES DECIMAL ± 0.20 ANGULAR ± 2°

NAME	DATE
DRAWN FRANK YUE	26/Dec/17
CHECKED	

Littelfuse
Expertise Applied | Answers Delivered

TITLE
UNSEALED 6-WAY ZCASE FUSE BOX

THIRD ANGLE PROJECTION

DO NOT SCALE DRAWING

SCALE 1:2

SIZE C DWG. NO. OL-OFHZ0009Z REV. A

SHEET 1 OF 1