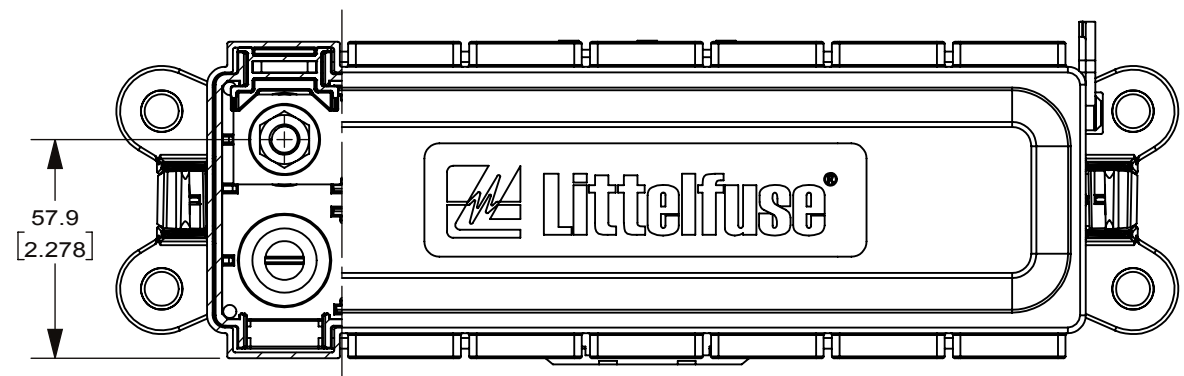
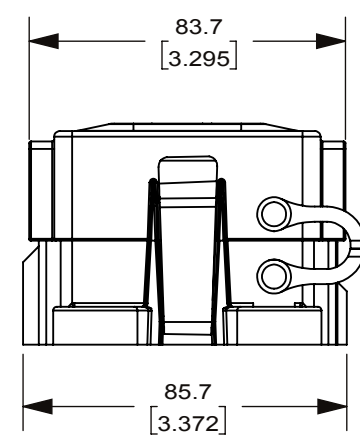
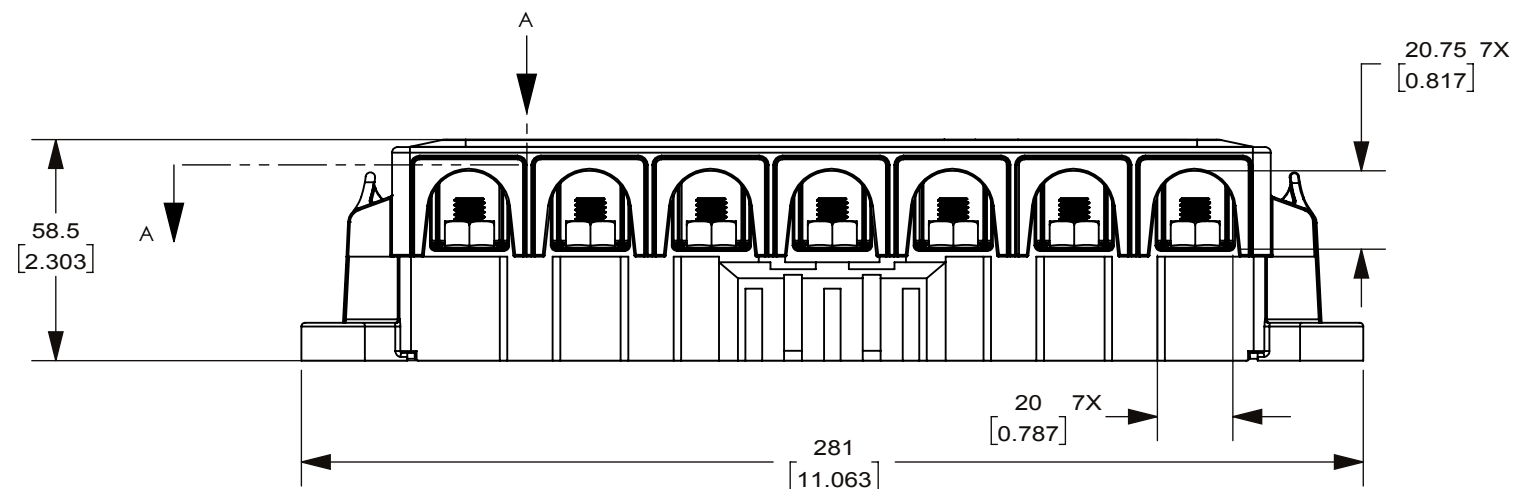
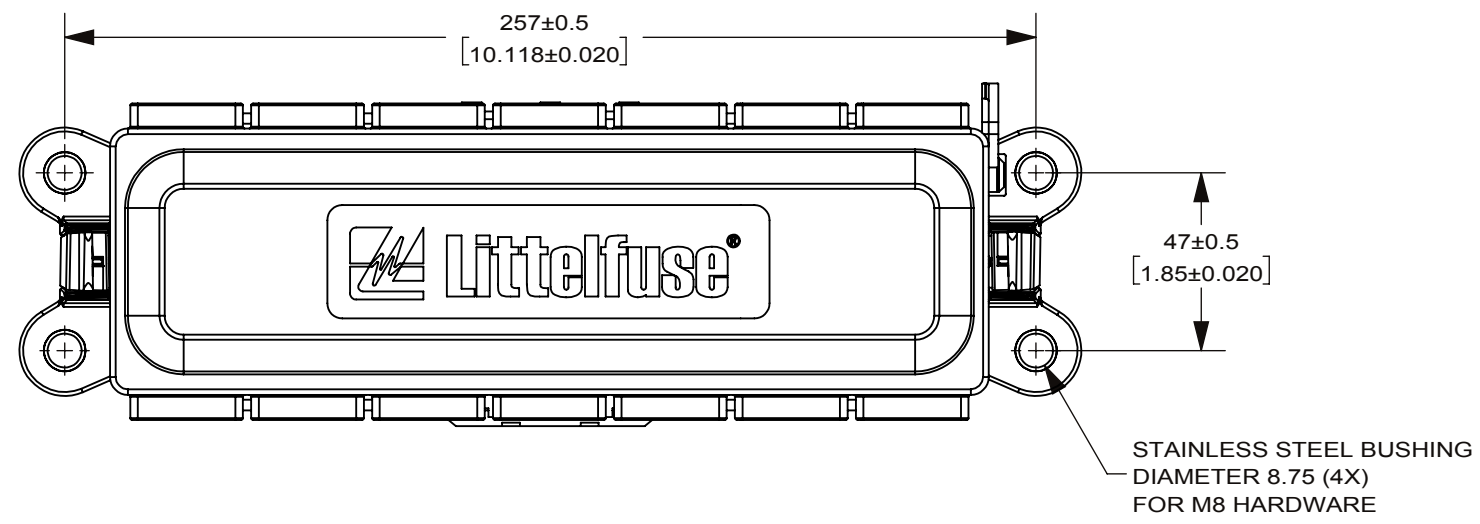
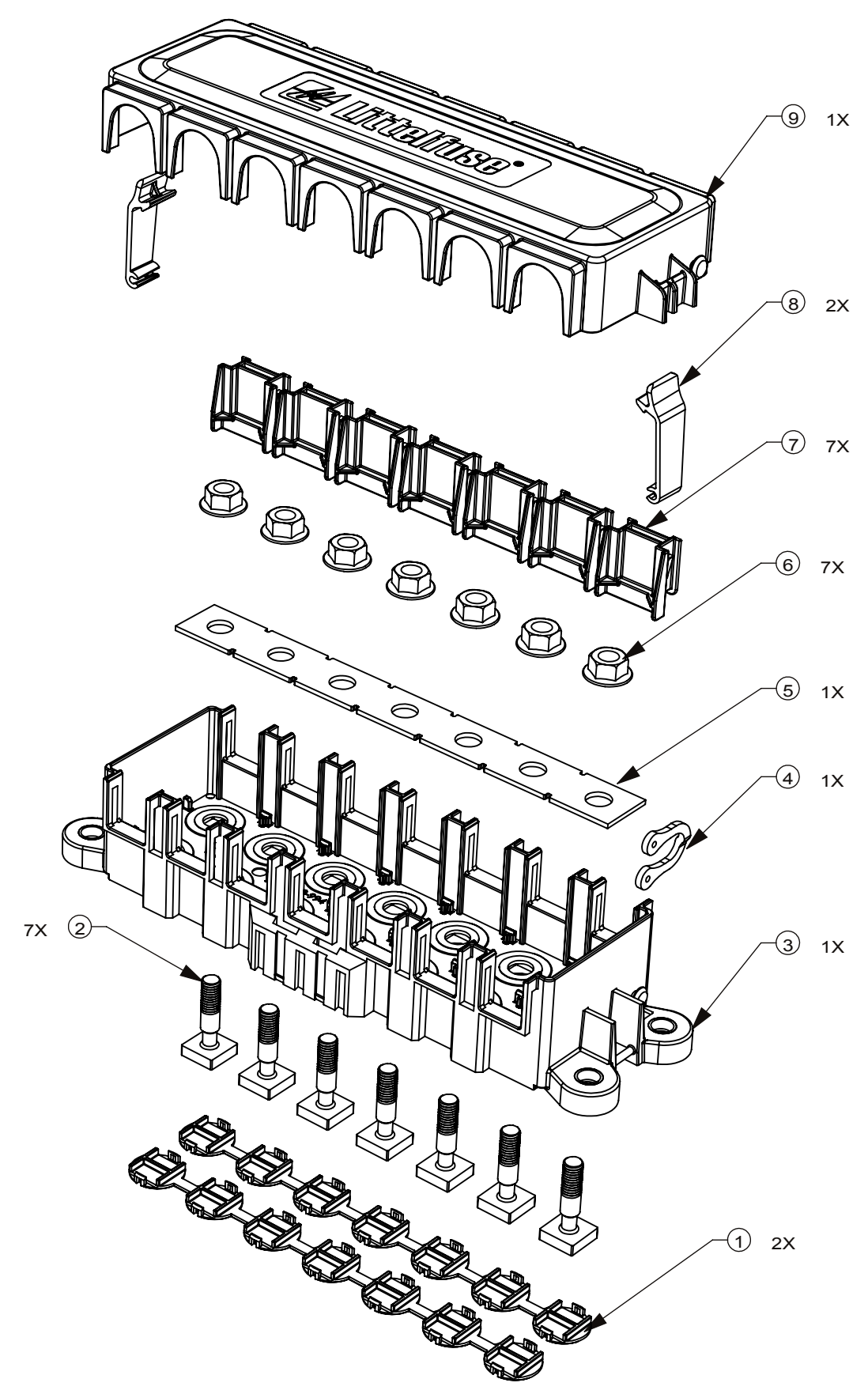
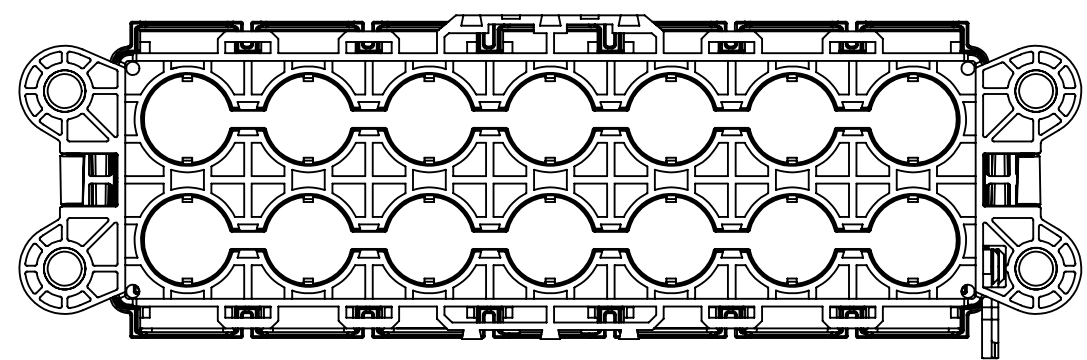


REVISIONS				
ZONE	REV.	DESCRIPTION	DATE	APPROVED
	A	520253GCC-NEW RELEASE DRAWING	23/May/19	



SECTION A-A



- NOTES:
- MATERIALS:
 BASE/COVER: PET WITH GF (UL-94V0)
 BUS BAR: COPPER Sn PLATED
 DUST COVER: SILICON RUBBER
 STUD: STEEL Ni/Fe ALLOY PLATED
 BOTTOM CAP: PA66
 LATCH: POM
 FLANGE NUT: STAINLESS STEEL
 - MAX. MAIN INPUT: 400A
 - OPERATING TEMPERATURE RANGE: -40°C TO 85°C
 - M8 MOUNTING TORQUE: 12-15 Nm
 - MAX. WIRE SIZE 105 sqmm OR AWG 4/0

NO.	COMPONENT NO.	COMPONENT NAME	QTY/M	U/M
9	873-723	COVER	1	EA
8	883-088	LATCH	2	EA
7	901-520	DUST COVER	7	EA
6	980003760	M8 NUT	7	EA
5	882-869-7	BUS BAR	1	EA
4	890009470	TETHER	1	EA
3	868-994	BASE	1	EA
2	908-067	M8 STUD	7	EA
1	883-097	BOTTOM CAP	2	EA

DIMENSIONS ARE SHOWN IN MILLIMETERS. DIMENSIONS AND TOLERANCES ARE DEFINED ACCORDING TO ANSI/ASME Y14.5-1994.

●	DENOTES PRODUCTS CRITICAL CHARACTERISTICS
CPK	DENOTES CPK DIMENSIONS MINIMUM CPK VALUE
ST	DENOTES A CHARACTERISTIC THAT PROVIDES AN INDICATION OF PROCESS PERFORMANCE PROCEDURE FOR MEASUREMENT AND TRACKING TO BE DEFINED IN LITTELFUSE INSPECTION INSTRUCTIONS
CP	DENOTES CP DIMENSIONS. MINIMUM CP VALUE MUST BE WITHIN THE DIMENSIONAL LIMITATIONS SHOWN ON DRAWING AND INITIALLY LOCATED TO ALLOW FOR MAXIMUM TOOL LIFE

TOLERANCES UNLESS OTHERWISE SPECIFIED
 ONE PLACE DECIMAL ± 0.5 THREE PLACES DECIMAL ± 0.100
 TWO PLACES DECIMAL ± 0.20 ANGULAR ± 2°

NAME	DATE	 Expertise Applied Answers Delivered
DRAWN	FRANK YUE 26/Dec/17	
CHECKED		
THIRD ANGLE PROJECTION		TITLE
DO NOT SCALE DRAWING		UNSEALED 6-WAY ZCASE FUSE BOX
SIZE	DWG. NO.	REV.
C	OL-DFHZ0007Z	A
SCALE 1:2	SHEET 1 OF 1	