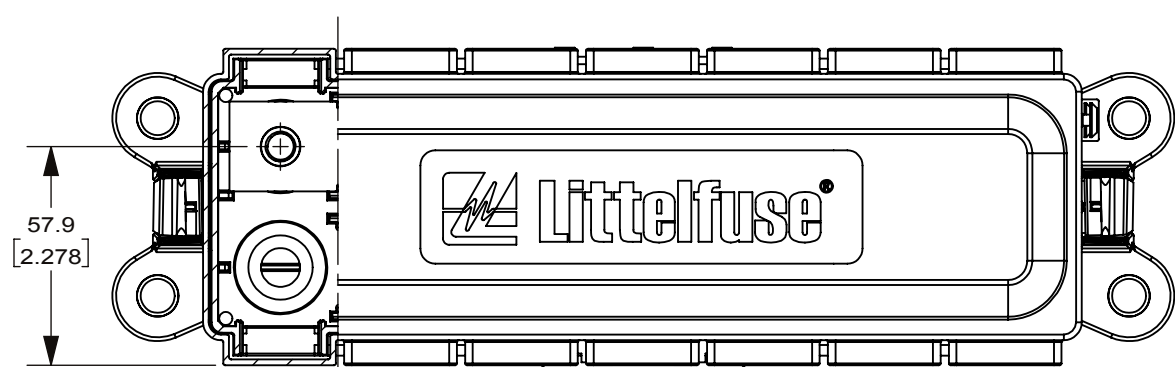
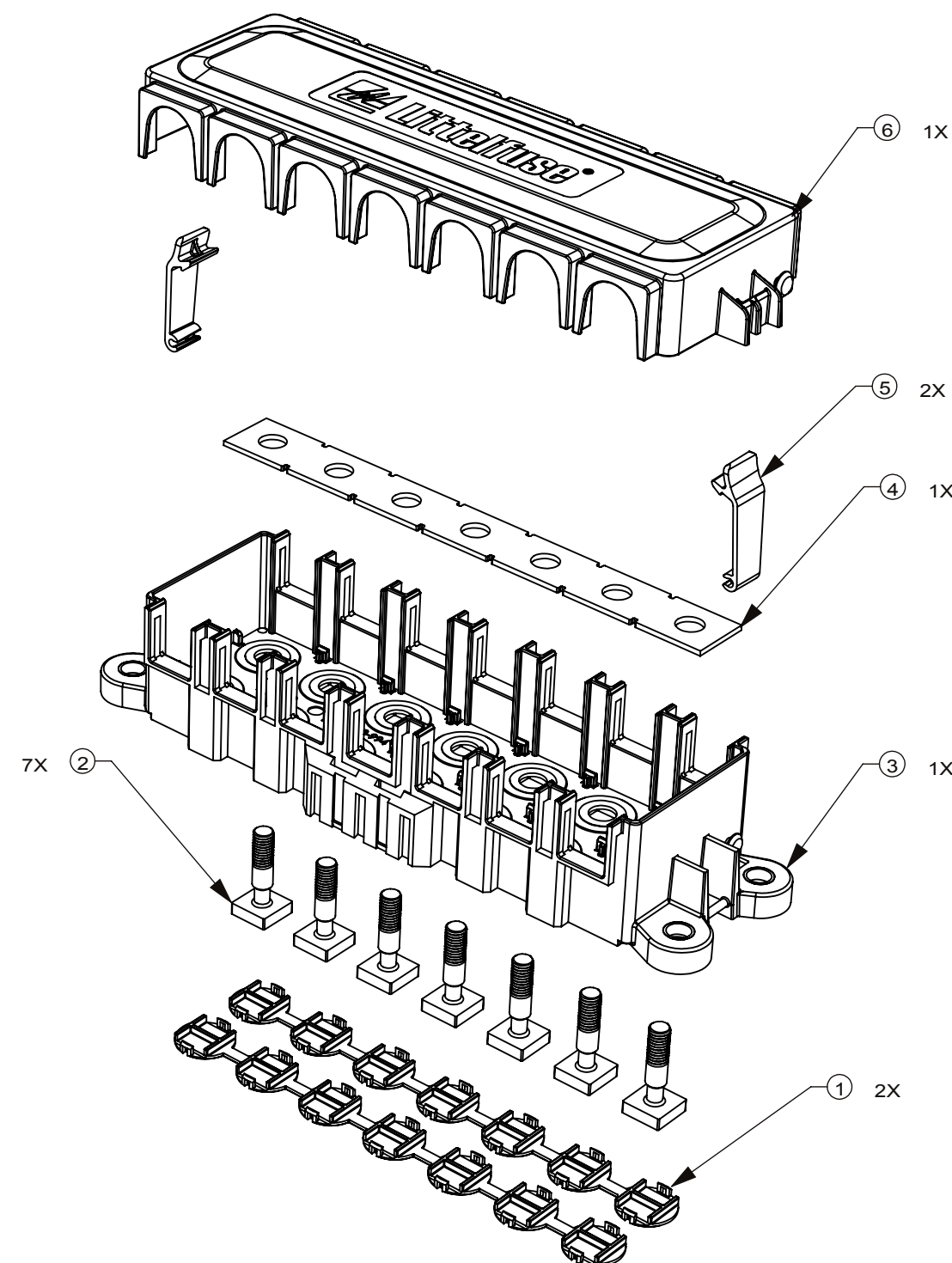
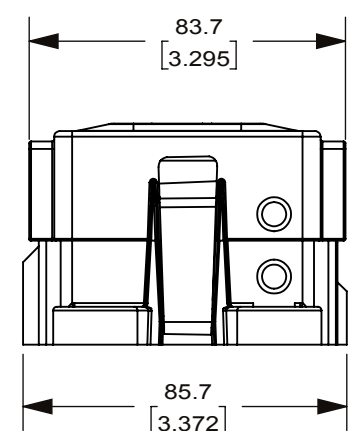
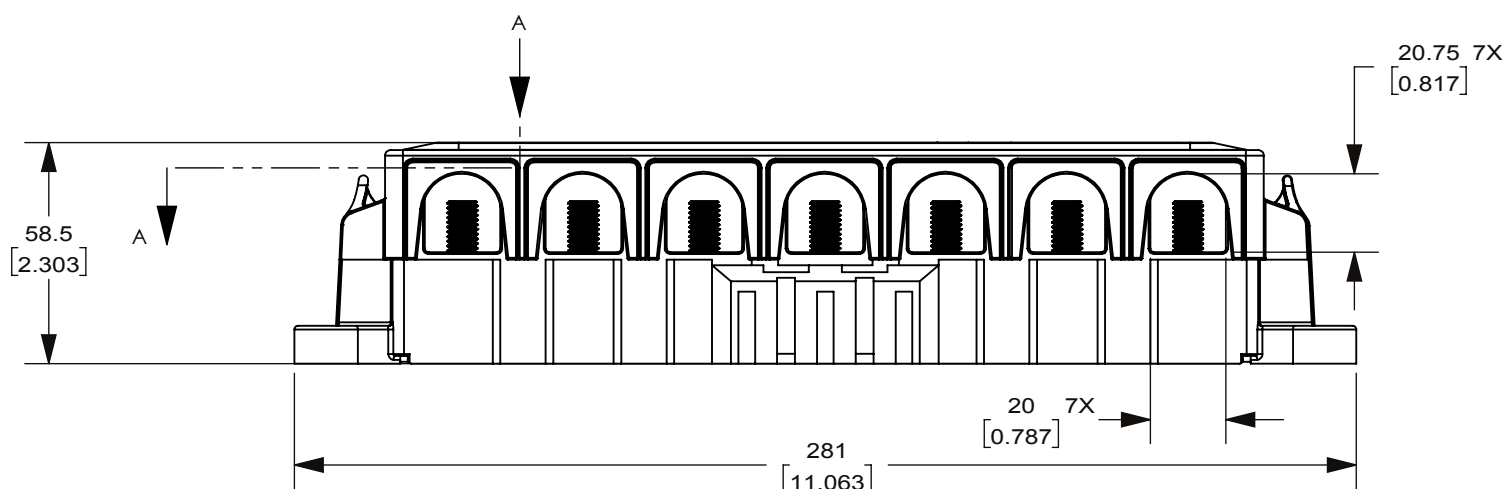
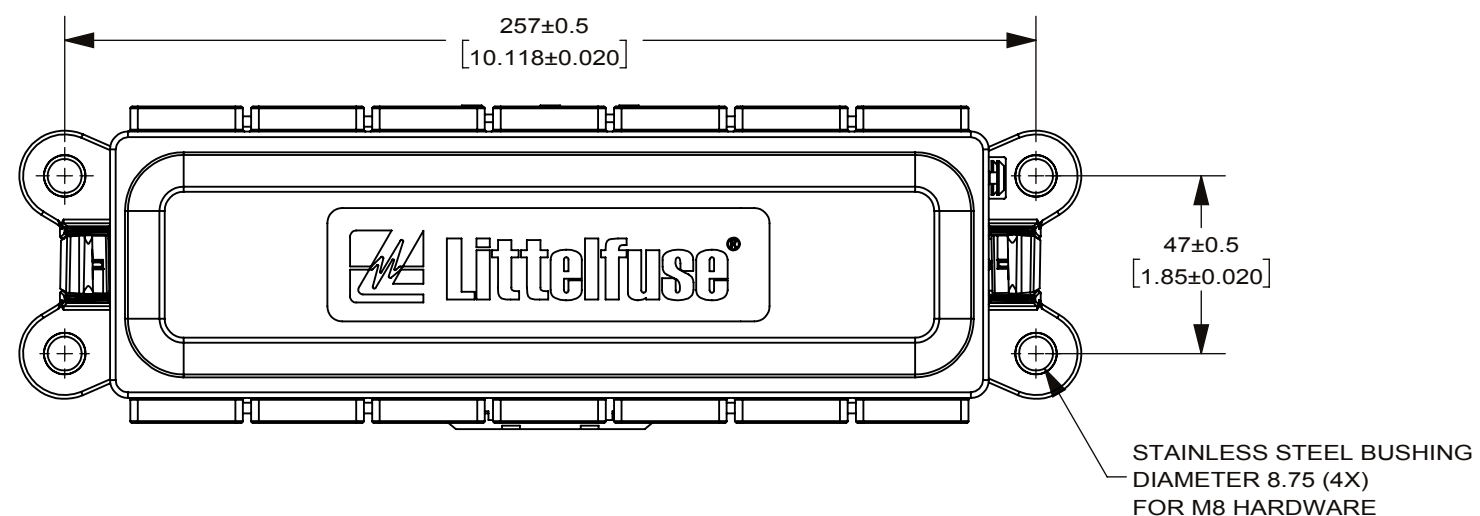
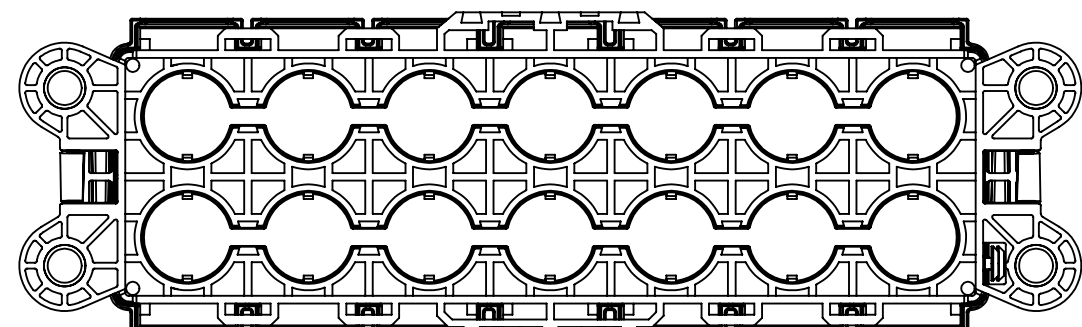


REVISIONS				
ZONE	REV.	DESCRIPTION	DATE	APPROVED
	A	520253GCC-NEW RELEASE DRAWING	21/May/19	



SECTION A-A



NOTES:

- MATERIALS:
 BASE/COVER: PET WITH GF (UL-94V0)
 BUS BAR: COPPER Sn PLATED
 STUD: STEEL Ni/Fe ALLOY PLATED
 BOTTOM CAP: PA66
 LATCH: POM
- MAX. MAIN INPUT: 400A
- OPERATING TEMPERATURE RANGE: -40°C TO 85°C
- M8 MOUNTING TORQUE: 12-15 Nm
- MAX. WIRE SIZE 105 sqmm OR AWG 4/0

NO.	COMPONENT NO.	COMPONENT NAME	QTY/M	U/M
6	873-723	COVER	1	EA
5	883-088	LATCH	2	EA
4	882-869-7	BUS BAR	1	EA
3	868-994	BASE	1	EA
2	908-067	M8 STUD	7	EA
1	883-097	BOTTOM CAP	2	EA

DIMENSIONS ARE SHOWN IN MILLIMETERS. DIMENSIONS AND TOLERANCES ARE DEFINED ACCORDING TO ANSI/ASME Y14.5-1994.

●	DENOTES PRODUCTS CRITICAL CHARACTERISTICS
CPK	DENOTES CPK DIMENSIONS MINIMUM CPK VALUE
ST	DENOTES A CHARACTERISTIC THAT PROVIDES AN INDICATION OF PROCESS PERFORMANCE PROCEDURE FOR MEASUREMENT AND TRACKING TO BE DEFINED IN LITTELFUSE INSPECTION INSTRUCTIONS
CP	DENOTES CP DIMENSIONS. MINIMUM CP VALUE MUST BE WITHIN THE DIMENSIONAL LIMITATIONS SHOWN ON DRAWING AND INITIALLY LOCATED TO ALLOW FOR MAXIMUM TOOL LIFE

TOLERANCES UNLESS OTHERWISE SPECIFIED
 ONE PLACE DECIMAL ± 0.5 THREE PLACES DECIMAL ± 0.100
 TWO PLACES DECIMAL ± 0.20 ANGULAR ± 2°

NAME	DATE	<p>Expertise Applied Answers Delivered</p>
DRAWN	FRANK YUE 26/Dec/18	
CHECKED		
TITLE		UNSEALED 6-WAY ZCASE FUSE BOX
THIRD ANGLE PROJECTION		
SIZE	DWG. NO.	REV.
C	OL-DFHZ0006Z	A
DO NOT SCALE DRAWING	SCALE 1:2	SHEET 1 OF 1