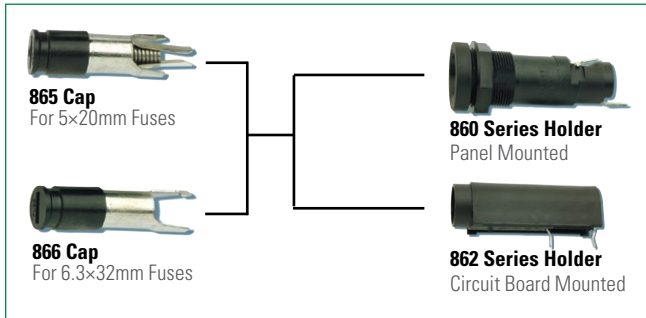
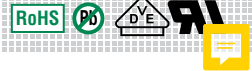


860/862 Series Enclosed Fuse Holders for 5×20mm and 6.2×32mm Fuses



Agency Approval

| Agency | Agency File Number | |
|--------|--------------------|------------|
| | 860 Series | 862 Series |
| | 40048042 | N/A |
| | E70164 | E70164 |

Additional Information



Datasheet
860 Series



Datasheet
862 Series



Resources
860 Series



Resources
862 Series



Samples
860 Series



Samples
862 Series

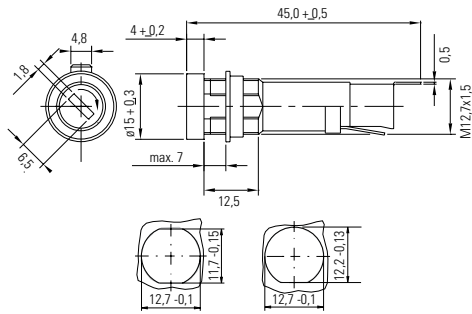
Product Characteristics

| | 860 Series | 862 Series |
|--|--|---|
| Compatible Fuses | 5×20mm 6.3×32mm | |
| Materials | Holder/Cap: Black Thermoplastic, UL 94V0 | |
| | Metal Parts: Copper alloy, corrosion protected | |
| | Terminals: Solderable tinned | |
| Electrical Data (23°C) | Rated Voltage: 250V | |
| | Rated Current: 10A (VDE) 16A (CSA) 20A (UL) | Rated Current: 10A 16A (UL/CSA) |
| | Rated Power: 4.0W (VDE) | Rated Power: 862/865: 2.5W 862/866: 3.2W |
| | Mounting | |
| Mounting | 12.7mm diameter D-hole or double D-hole Admissible torque on plastic hex nut is 1.2Nm | (2) Solder pins 0.5mm×1.1mm and plastic stud Pins are kicked for optimal soldering |
| Terminals | Solderable or 4.8mm quick connect-fits 0.5mm tab | Solderable tinned |
| Protection Class & Category | IP 40 (IEC 60529) PC2 (IEC 60127-6) | IP 40 (IEC 60529) PC2 (IEC 60127-6) |
| Operating Temperature* | -40°C to +85°C | |
| Climatic Test | -40°C/+85°C/21 days (IEC 60068-2-1...3) | |
| Stock Conditions | +10°C to +60°C relative humidity ≤ 75% yearly average, without dew, maximum value for 30 days - 95% | |
| Vibration Resistance | 24 cycles at 15 min. each (IEC 60068-2-6) 10 - 60Hz at 0.75mm amplitude 60 - 500Hz at 10g acceleration | |
| Contact Resistance | ≤ 5mΩ | |
| Impulse Voltage | 4 kV, 50Hz, 1 min., dry | |
| Insulation Resistance | > 10 ³ MΩ (500VDC, 1 min.) | |
| Solderability | 235°C, 2 sec. (Wave) 350°C, 1 sec. (Soldering Iron) | |
| Soldering Heat Resistance | 350°C, 5 sec. (IEC 60068-2-20) | |
| Minimum Cross Section | Conductor - 2.5mm ² | Conducting path - 0.2mm ² |
| Marking | 860, 250V, Approvals | 862, 250V, Approvals |
| Unit Weight | 5.3g (860) / 5.6g (862) / 3.3g (865) / 2.5g (866) | |

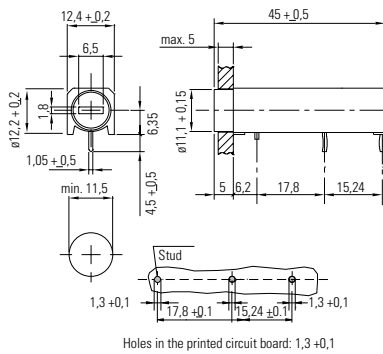
* - Refer to [Fuseology](#) for information on proper fuseholder re-rating.

Dimensions

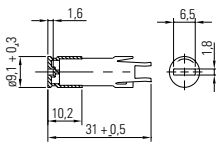
860 Series



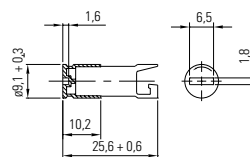
862 Series



865 Series



866 Series



Ordering Information

| Description | Ordering Number | Packaging |
|-------------------|-----------------|-----------|
| 860 Series Holder | 86000001009 | Bulk 100 |
| 862 Series Holder | 86200001009 | Bulk 100 |
| 865 Series Knob | 86500001009 | Bulk 100 |
| 866 Series Knob | 86600001009 | Bulk 100 |

Disclaimer Notice - Information furnished is believed to be accurate and reliable. However, users should independently evaluate the suitability of and test each product selected for their own applications. Littelfuse products are not designed for, and may not be used in, all applications. Read complete Disclaimer Notice at: www.littelfuse.com/disclaimer-electronics.