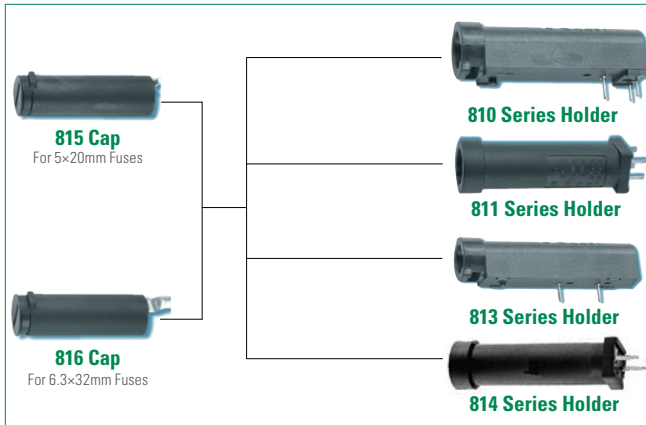
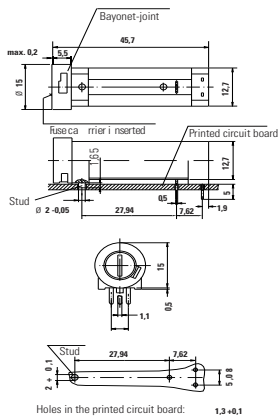


810/811/813/814 Series Circuit Board Mount Enclosed Fuse Holders

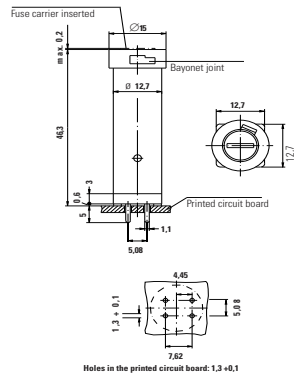


Dimensions

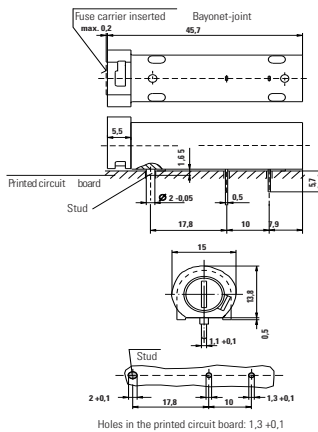
810 Series



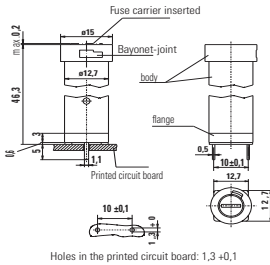
811 Series



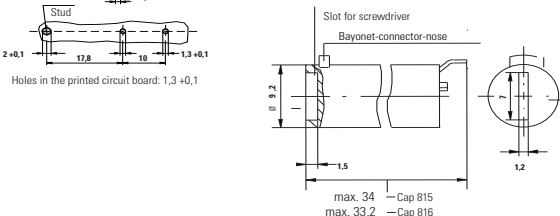
813 Series



814 Series



815/816 Series



Product Characteristics				
	810 Series	811 Series	813 Series	814 Series
Compatible Fuse Types	5x20mm 6.3x32mm	5x20mm 6.3x32mm	5x20mm 6.3x32mm	5x20mm 6.3x32mm
Materials	Holder/Cap: Black Thermoplastic, UL94 V-0 Metal Parts: Copper alloy, corrosion protected Terminals: Solderable, tinned			
Electrical Data (23°C)	Rated Voltage: 250V			
	Rated Current: 6.3A (VDE) 16A (UL/CSA)			
Rated Power:	2.5W (VDE)	Rated Power:		Rated Power:
		1.6W (813+815-VDE) 2.5W (813+816-VDE)	1.6W (814+815-VDE) 2.5W (814+816-VDE)	
Mounting	(3) Solder pins 0.5mm x 1.1mm and plastic stud. The pins spaced at 5.08mm form a common connection.	(4) Solder pins 0.5mm x 1.1mm The pins spaced at 5.08mm form a common connection.	(2) Solder pins 0.5mm x 1.1mm and plastic stud	(2) Solder pins 0.5mm x 1.1mm
Protection Class & Category	IP 40 (IEC 60529) PC2 (IEC 60127-6)			
Operating Temperature	-25 °C to 70 °C			
Climatic Test	-25°C/+70°C/21 days (IEC 60068-2-1...3)			
Stock Conditions	+10°C to +60°C relative humidity ≤ 75% yearly average, without dew, maximum value for 30 days - 95%			
Vibration Resistance	24 cycles at 15 min. each (IEC 60068-2-6) 10 - 60Hz at 0.75mm amplitude 60 - 2000Hz at 10g acceleration			
Contact Resistance	≤ 5mΩ			
Dielectric Strength	> 1.5 kV			
Impulse Voltage	4 kV, 50 Hz, 1 min., dry			
Insulation Resistance	> 10 ⁹ MΩ (500 VDC, 1 min.)			
Solderability	235°C, 3 sec. (Wave) 350°C, 1 sec. (Soldering Iron)			
Soldering Heat Resistance	260°C, 5 sec. (IEC 60068-2-20)			
Min Cross Section	Conducting path - 0.2mm ²			
Marking	810, 250V, Approvals	811, 250V, Approvals	813, 250V, Approvals	814, 250V, Approvals
Unit Weight	5.4g (Holder) / 2.5g (Cap)	5.2g (Holder) / 2.5g (Cap)	5.8g (Holder) / 2.5g (Cap)	4.6g (Holder) / 25g (Cap)

Note: Refer to Fuseology for information on proper fuseholder re-rating

Dimensions				
Agency	Part Number			
	810	811	813	814
Agency File Number				
	118611	120642	118349	118347
	E70164			
	47574			

Ordering Information

Description	Ordering Number	Packaging
Cap, 5x20 mm	81500000005	Bulk 100
Cap, 6.3x32 mm	81600000005	Bulk 100
810 Series Holder	81000000005	Bulk 100
811 Series Holder	81100000005	Bulk 100
813 Series Holder	81300000005	Bulk 100
814 Series Holder	81400000005	Bulk 100

Additional Information



Datasheet
810 Series



Resources
810 Series



Samples
810 Series



Datasheet
811 Series



Resources
811 Series



Samples
811 Series



Datasheet
813 Series



Resources
813 Series



Samples
813 Series



Datasheet
814 Series



Resources
814 Series



Samples
814 Series