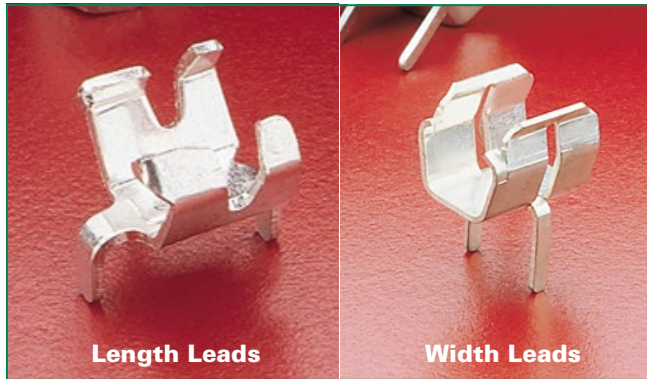



## 100/102/122 Series Low Profile Circuit Board Mount Fuse Clips for 1/4" Diameter Fuses RoHS



### Product Characteristics

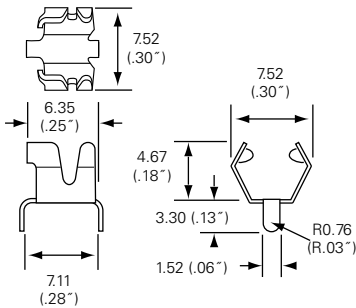
|                             | 102 080                              | 122 090     | 100 058     |
|-----------------------------|--------------------------------------|-------------|-------------|
| <b>Compatible Fuse Size</b> | <b>1/4" Diameter and 6.3mm Fuses</b> |             |             |
| <b>Current Level</b>        | 15 Amps max                          | 30 Amps max | 15 Amps max |

### Agency Approval

| Agency  | Agency File Number |                |                |
|---|--------------------|----------------|----------------|
|   | <b>102 080</b>     | <b>122 090</b> | <b>100 058</b> |
|  | E14721             |                |                |

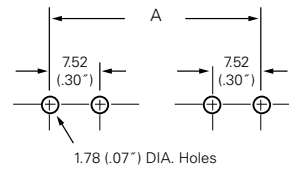
### Product Dimensions

#### 102/122 Series



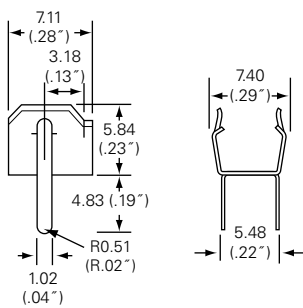
#### Mounting Dimensions for 102/122 Series

| Nominal Fuse Length | "A" Length |
|---------------------|------------|
| 5/8                 | .760       |
| 3/4                 | .880       |
| 7/8                 | 1.005      |
| 1                   | 1.130      |
| 1 1/16              | 1.195      |
| 1 1/4               | 1.380      |
| 1 7/16              | 1.570      |



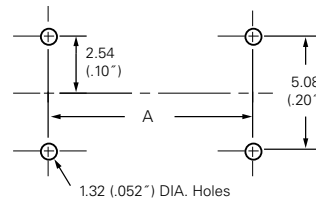
#### Recommended Mounting Dimensions

#### 100 Series



#### Mounting Dimensions for 100 Series

| Nominal Fuse Length | "A" Length |
|---------------------|------------|
| 1                   | 0.781      |
| 1 1/14              | 1.035      |
| 1 7/16              | 1.250      |



#### Recommended Mounting Dimensions

## Ordering Information

| Ordering PN* | Catalog No. | Clip Material    | Plating       | Style | Packaging Available |
|--------------|-------------|------------------|---------------|-------|---------------------|
| 0102 0080    | 102 080     | Spring Brass     | Tin-plated    | Ear   | Z                   |
| 0122 0090    | 122 090     | Beryllium Copper | Silver-plated | Ear   | Z & ZR              |
| 0100 0058    | 100 058     | Spring Brass     | Tin-plated    | Ear   | Z                   |

**Add Suffix to the Ordering PN for Packaging**

"Z" = for bulk package, 2000pcs

ZR = Tape and reel package, 500pcs

## Additional Information



**Datasheet  
100 Series**



**Resources  
100 Series**



**Samples  
100 Series**



**Datasheet  
102 Series**



**Resources  
102 Series**



**Samples  
102 Series**



**Datasheet  
122 Series**



**Resources  
122 Series**



**Samples  
122 Series**

**Disclaimer Notice** - Information furnished is believed to be accurate and reliable. However, users should independently evaluate the suitability of and test each product selected for their own applications. Littelfuse products are not designed for, and may not be used in, all applications. Read complete Disclaimer Notice at: [www.littelfuse.com/disclaimer-electronics](http://www.littelfuse.com/disclaimer-electronics).